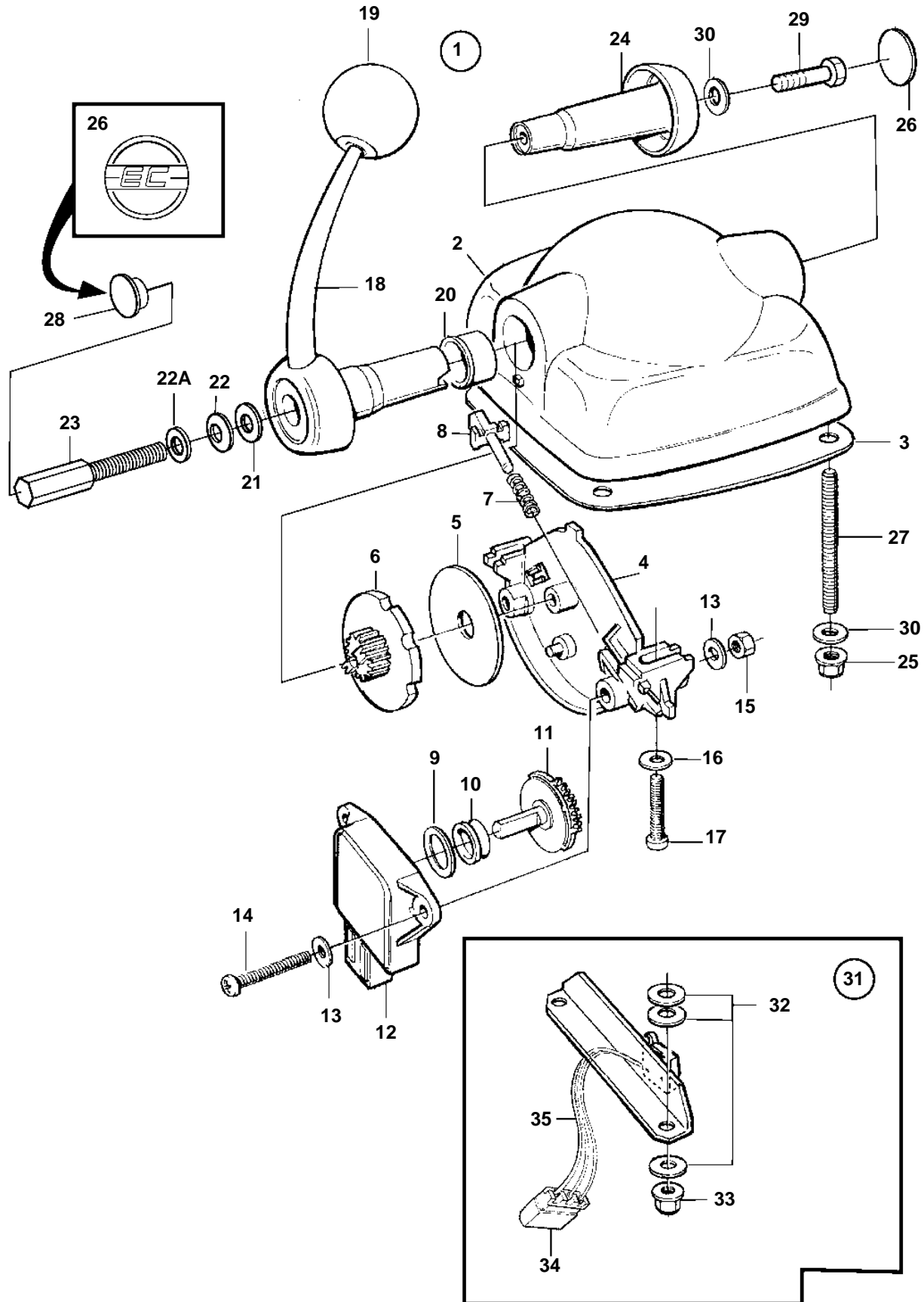


KAD32P-A, KAMD43P-A, KAD43P-A



KAD32P-A, KAMD43P-A, KAD43P-A

| REF | PART NO. | QTY | DESCRIPTION | NOTES |
|-----|----------|-----|-------------------|--------------------------|
| 1 | 1140657 | 1 | Control | For singel installation. |
| 2 | | 1 | · Control housing | |
| 3 | 3581674 | 1 | · Gasket | |
| 4 | | 1 | · Plate | |
| 5 | 3581666 | 1 | · Washer | |
| 6 | | 1 | · Plate | |
| 7 | | 1 | · Spring | |
| 8 | | 1 | · Lug | |
| 9 | | 1 | · Spacer ring | |
| 10 | 3581676 | 1 | · Ring | |
| 11 | 3581668 | 1 | · Gear | |
| 12 | 1336385 | 1 | · Potentiometer | |
| 13 | | 4 | · Washer | |
| 14 | 3581678 | 2 | · Screw | |
| 15 | 3581680 | 2 | · Nut | |
| 16 | | 2 | · Washer | |
| 17 | 3581681 | 2 | · Screw | |
| 18 | | 1 | · Lever | |
| 19 | 3581675 | 1 | · Ball | |
| 20 | 3581673 | 1 | · Bearing | |
| 21 | | 1 | · Washer | |
| 22 | | 1 | · Disc spring | |
| 22A | | 1 | · Washer | |
| 23 | | 1 | · Adjusting screw | |
| 24 | 3581687 | 1 | · Plug | |
| 25 | 3581686 | 4 | · Nut | |
| 26 | 3860543 | 1 | · Decal | |
| 27 | | 4 | · Stud | |
| 28 | 3582830 | 1 | · Plug | |
| 29 | | 1 | · Screw | |
| 30 | | 5 | · Washer | |
| 31 | 873870 | 1 | Microswitch | |
| 32 | | 6 | · Washer | |
| 33 | | 2 | · Nut | |
| 34 | | X | · Housing | SEE GROUP 30 |
| 35 | | X | · Cable | SEE GROUP 30 |